

Rn 2EC Inline Radon Fan

Item #: 99927



Description

- Use for **Medium Suction, LowAirflow** applications
- Equipped with EC Motor
- Speed Control Included
- Airtight Housing Guaranteed
- Large Electrical Box
- Zero Leakage

Active radon mitigation systems employ specialized fans to exhaust radioactive radon gas from underneath building structures via a sealed pipe system. These systems are designed to remove radon gas before it migrates into the building envelope.

The **Rn2EC** is ideally tailored performance curve for a vast majority of your mitigations that require medium air flow and suction.

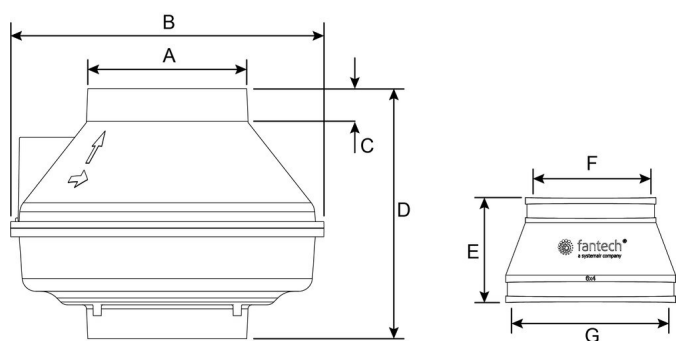
Rn2EC features an electronically commutated (EC) motor. Inherently efficient and operationally...

[Find more details in our online catalogue](#)

Technical parameters

Nominal data	
Frequency	60 Hz
Input power	53 W
Input current	1.05 A
Impeller speed	2 950 r.p.m.
Protection/Classification	
Enclosure class, motor	IP54
Insulation class	B
Certificate	cULus, HVI
Dimensions and weights	
Weight	5.3 lb

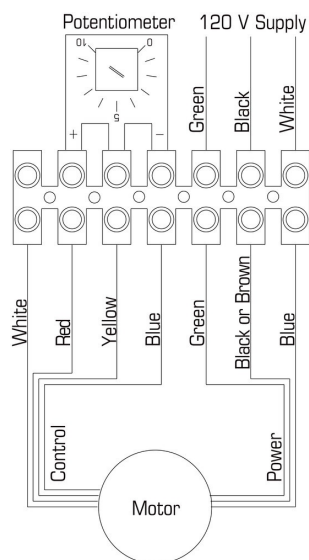
Dimensions



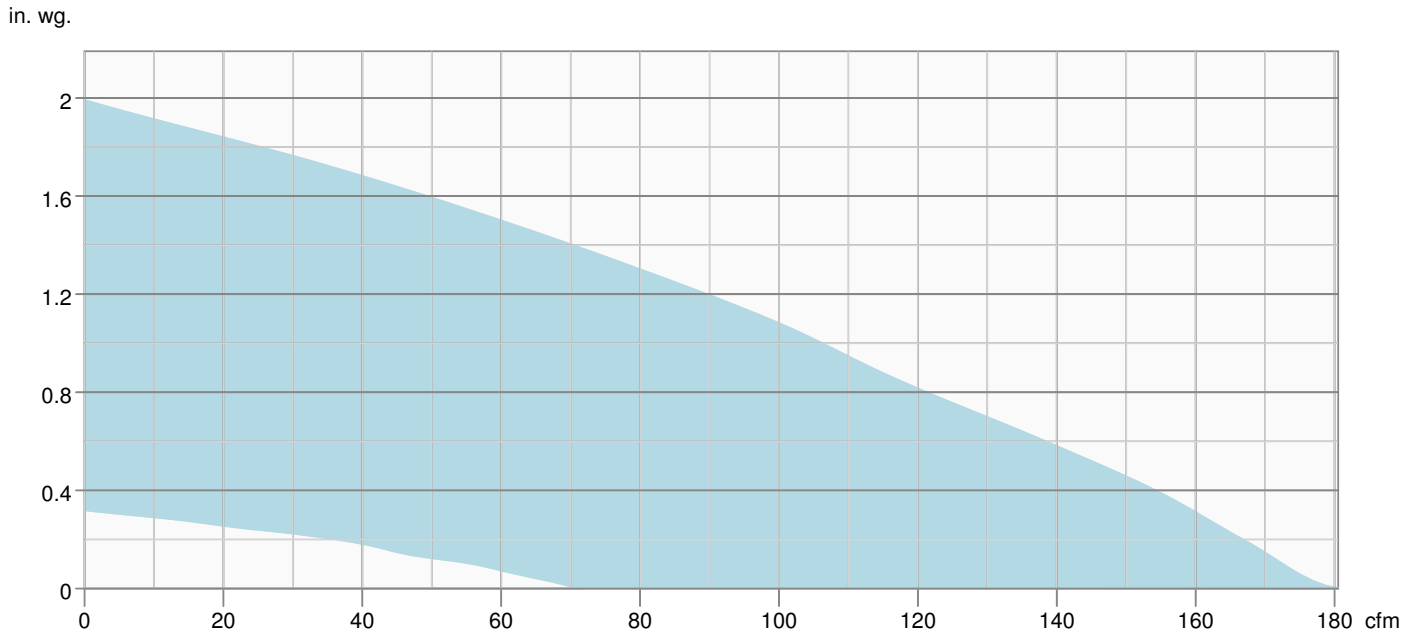
Model	A	B	C	D	E	F	G
Rn2EC	4 15/32 (114)	10 (254)	1 1/4 (32)	9 1/4 (235)	-	-	-
Rn4EC-3	5 7/8 (149)	11 1/2 (292)	1 1/4 (32)	9 1/4 (235)	4 (102)	3 1/2 (89)	6 (152)
Rn4EC-4	5 7/8 (149)	11 1/2 (292)	1 1/4 (32)	9 1/4 (235)	4 (102)	4 1/2 (114)	6 (152)

Dimensions in inches (mm).

Wiring



Performance curve



Hydraulic data

Required air flow	-
Required static pressure	-
Working air flow	-
Working static pressure	-
Air density	0.075 lb/ft ³
Power	-
Fan control - RPM	-
Current	-
Airflow efficiency	-
Control voltage	-
Supply voltage	-

Accessories

FRIK 4x3 Rn Installation Kit (95904)
LDVI® 4x3 Bulk Pack, 54 pcs (95908)

FRIK 4x4 Rn Installation Kit (95905)
LDVI® 4x4 Bulk Pack, 36 pcs (95909)

Documents

E1956_RN2EC_SELL_SHEET.PDF
142001_Rn2EC-Rn4-EC_OIPM_EN_FR.PDF